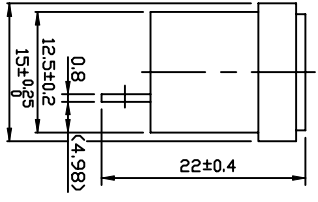
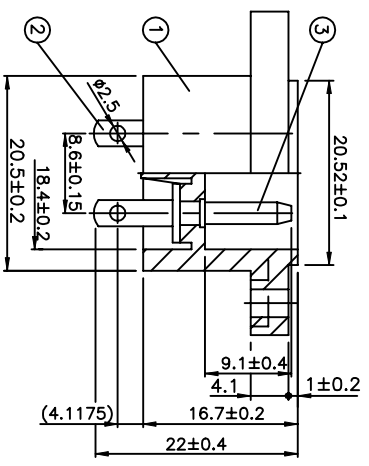
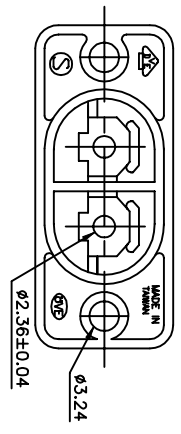
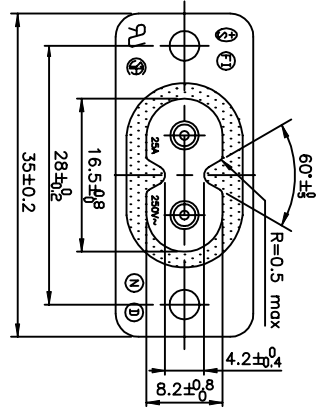
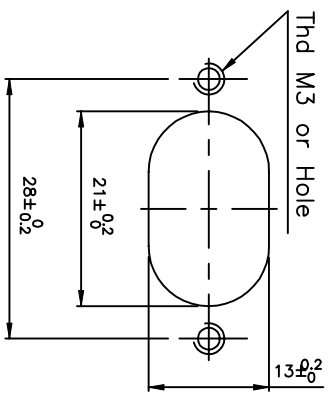


Rev.	Description	Date	Approved



PANEL CUT-OUT



2.5A 250V~
 APPROVALS:
 UL CSA VDE SEV SETI DEMKO
 NEMKO SEMKO GVE CB

Dim range (mm)	Tolerance (+/- (mm))	Qualtek Electronics Corp. PPC DIVISION		
0-1	0.15	Part Number: 770W-X2/03		
1-6	0.20	Description:		
6-18	0.30	Drawn/Date	Checked/Date	Approved/Date
18-50	0.50	S.CHEN	11-21-99	JJH/11-21-99
50-120	0.70	11-21-99		
120-250	0.90			
250-500	1.20			